

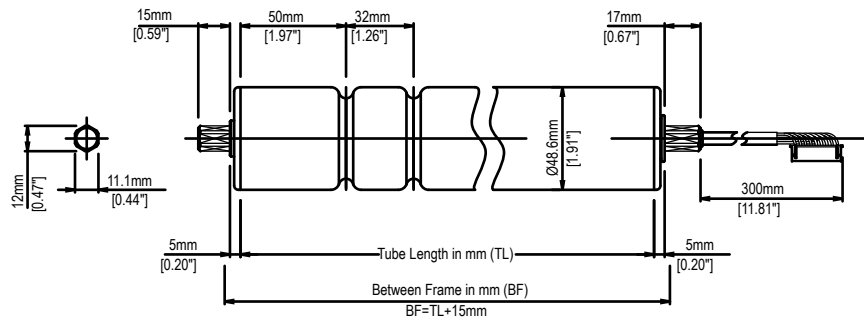


PM486FE 1.91" (48.6MM) Diameter 24V DC Motorized Roller

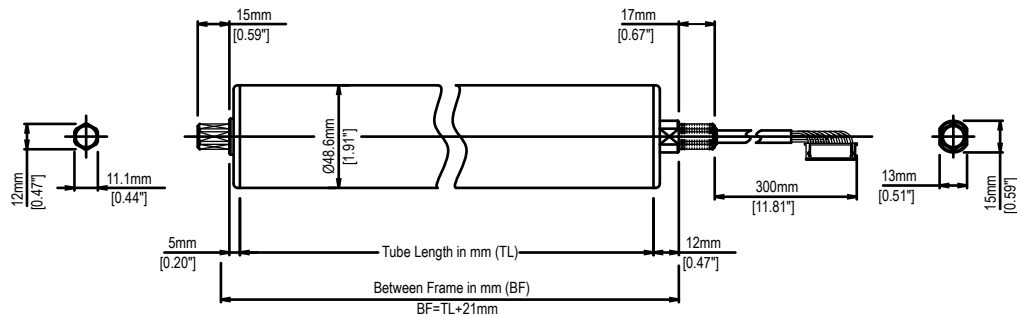
Features:

- Strong motor torque.
- Long motor life.
- Variable speed.
- Class E insulation.
- Dynamic brake.
- One shaft attachment.

DIMENSIONS



Standard Hex Shafts with Grooved Tube



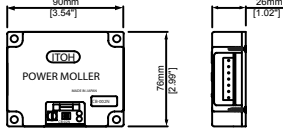
JQ-(Threaded) Hex Shaft with Wrench Shoulder/ Straight Tube

OPERATING CHARACTERISTICS WITH CB-002 DRIVER CARD

3-stage		PM486FE-17						
Pot.	EXT Voltage(V)	Speed (ft/min) ± 5%		Tangential Force (lb)	Torque (lb-in)	Starting	Current (A)	
		No-Load	Rated	Starting	Starting		No-Load	Rated
Max	0	59.0	46.6	59.7	57.3	3.0	0.7	1.8

2-stage		PM486FE-60						
Pot.	EXT Voltage(V)	Speed (ft/min) ± 5%		Tangential Force (lb)	Torque (lb-in)	Starting	Current (A)	
		No-Load	Rated	Starting	Starting		No-Load	Rated
Max	0	209.6	165.0	19.2	18.3	3.0	0.7	1.8

1-stage		PM486FE-100						
Pot.	EXT Voltage(V)	Speed (ft/min) ± 5%		Tangential Force (lb)	Torque (lb-in)	Starting	Current (A)	
		No-Load	Rated	Starting	Starting		No-Load	Rated
Max	0	400.9	293.0	7.7	7.5	2.7	0.4	1.4



CB-002N



OPERATING CHARACTERISTICS WITH CB-016S2 DRIVER CARD

3-stage		PM486FE-17								
DIP	Switch	Rotary	EXT Voltage(V)	Speed (ft/min) ± 5%		Tangential Force (lb)	Torque (lb-in)	Starting	Current (A)	
				No-Load	Rated	Starting	Starting		No-Load	Rated
ON		9	9.75 ± 0.2	55.4	51.5	73.8	70.8	4.0	0.6	2.2
		8	9.25 ± 0.2	50.5	50.5	73.8	70.8	4.0	0.5	2.1
		7	8.75 ± 0.2	48.2	48.2	73.8	70.8	4.0	0.5	2.0
		6	8.25 ± 0.2	45.9	45.9	73.8	70.8	4.0	0.5	1.9
		5	7.75 ± 0.2	43.6	43.6	73.8	70.8	4.0	0.5	1.8
		4	7.25 ± 0.2	41.3	41.3	73.8	70.8	4.0	0.4	1.8
		3	6.75 ± 0.2	36.7	36.7	73.8	70.8	4.0	0.4	1.7
		2	6.25 ± 0.2	34.4	34.4	73.8	70.8	4.0	0.4	1.7
		1	5.75 ± 0.2	32.2	32.2	73.8	70.8	4.0	0.3	1.6
		0	5.25 ± 0.2	29.9	29.9	73.8	70.8	4.0	0.3	1.6
OFF		9	4.75 ± 0.2	27.6	27.6	73.8	70.8	4.0	0.3	1.5
		8	4.25 ± 0.2	25.3	25.3	73.8	70.8	4.0	0.3	1.5
		7	3.75 ± 0.2	23.0	23.0	73.8	70.8	4.0	0.3	1.4
		6	3.25 ± 0.2	20.7	20.7	73.8	70.8	4.0	0.2	1.4
		5	2.75 ± 0.2	18.4	18.4	73.8	70.8	4.0	0.2	1.3
		4	2.25 ± 0.2	16.1	16.1	73.8	70.8	4.0	0.2	1.3
		3	1.75 ± 0.2	13.8	13.8	73.8	70.8	4.0	0.2	1.2
		2	1.25 ± 0.2	11.5	11.5	73.8	70.8	4.0	0.2	1.2
		1	0.75 ± 0.2	9.2	9.2	73.8	70.8	4.0	0.2	1.1
		0	0.25 ± 0.2	6.9	6.9	73.8	70.8	4.0	0.1	1.1

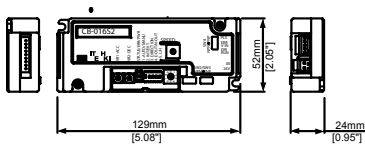
2-stage		PM486FE-60								
DIP	Switch	Rotary	EXT Voltage(V)	Speed (ft/min) ± 5%		Tangential Force (lb)	Torque (lb-in)	Starting	Current (A)	
				No-Load	Rated	Starting	Starting		No-Load	Rated
ON		9	9.75 ± 0.2	196.9	183.7	23.5	22.1	4.0	0.6	2.2
		8	9.25 ± 0.2	180.4	180.4	23.5	22.1	4.0	0.5	2.1
		7	8.75 ± 0.2	172.2	172.2	23.5	22.1	4.0	0.5	2.0
		6	8.25 ± 0.2	164.0	164.0	23.5	22.1	4.0	0.5	1.9
		5	7.75 ± 0.2	155.8	155.8	23.5	22.1	4.0	0.5	1.8
		4	7.25 ± 0.2	147.6	147.6	23.5	22.1	4.0	0.4	1.8
		3	6.75 ± 0.2	131.2	131.2	23.5	22.1	4.0	0.4	1.7
		2	6.25 ± 0.2	123.0	123.0	23.5	22.1	4.0	0.4	1.7
		1	5.75 ± 0.2	114.8	114.8	23.5	22.1	4.0	0.3	1.6
		0	5.25 ± 0.2	106.6	106.6	23.5	22.1	4.0	0.3	1.6
OFF		9	4.75 ± 0.2	98.4	98.4	23.5	22.1	4.0	0.3	1.5
		8	4.25 ± 0.2	90.2	90.2	23.5	22.1	4.0	0.3	1.5
		7	3.75 ± 0.2	82.0	82.0	23.5	22.1	4.0	0.3	1.4
		6	3.25 ± 0.2	73.8	73.8	23.5	22.1	4.0	0.2	1.4
		5	2.75 ± 0.2	65.6	65.6	23.5	22.1	4.0	0.2	1.3
		4	2.25 ± 0.2	57.4	57.4	23.5	22.1	4.0	0.2	1.3
		3	1.75 ± 0.2	49.2	49.2	23.5	22.1	4.0	0.2	1.2
		2	1.25 ± 0.2	41.0	41.0	23.5	22.1	4.0	0.2	1.2
		1	0.75 ± 0.2	32.8	32.8	23.5	22.1	4.0	0.2	1.1
		0	0.25 ± 0.2	24.6	24.6	23.5	22.1	4.0	0.1	1.1

Other speeds available.

Shaded area designates speeds where stable speed function is inoperative.

OPERATING CHARACTERISTICS WITH CB-016S DRIVER CARD

1-stage			PM486FE-100						
DIP	Switch	EXT	Speed (ft/min) ± 5%		Tangential Force (lb)	Torque (lb-in)	Current (A)		
	Rotary	Voltage(V)	No-Load	Rated	Starting	Starting	Starting	No-Load	Rated
ON	9	9.75 ± 0.2	408.1	245.0	9.5	8.9	4.0	0.3	2.4
	8	9.25 ± 0.2	408.1	245.0	9.5	8.9	4.0	0.3	2.4
	7	8.75 ± 0.2	408.1	245.0	9.5	8.9	4.0	0.3	2.4
	6	8.25 ± 0.2	408.1	245.0	9.5	8.9	4.0	0.3	2.4
	5	7.75 ± 0.2	408.1	245.0	9.5	8.9	4.0	0.3	2.4
	4	7.25 ± 0.2	408.1	245.0	9.5	8.9	4.0	0.3	2.4
	3	6.75 ± 0.2	408.1	245.0	9.5	8.9	4.0	0.3	2.4
	2	6.25 ± 0.2	408.1	245.0	9.5	8.9	4.0	0.3	2.4
	1	5.75 ± 0.2	408.1	245.0	9.5	8.9	4.0	0.3	2.4
	0	5.25 ± 0.2	378.9	245.0	9.5	8.9	4.0	0.3	2.4
OFF	9	4.75 ± 0.2	349.7	245.0	9.5	8.9	4.0	0.3	2.3
	8	4.25 ± 0.2	320.5	245.0	9.5	8.9	4.0	0.3	2.3
	7	3.75 ± 0.2	291.3	245.0	9.5	8.9	4.0	0.3	2.3
	6	3.25 ± 0.2	262.1	262.5	9.5	8.9	4.0	0.2	2.2
	5	2.75 ± 0.2	233.3	233.6	9.5	8.9	4.0	0.2	2.2
	4	2.25 ± 0.2	204.1	204.4	9.5	8.9	4.0	0.2	2.2
	3	1.75 ± 0.2	175.2	175.2	9.5	8.9	4.0	0.2	2.1
	2	1.25 ± 0.2	146.0	146.0	9.5	8.9	4.0	0.2	2.0
	1	0.75 ± 0.2	116.8	116.8	9.5	8.9	4.0	0.2	1.8
	0	0.25 ± 0.2	87.6	87.6	9.5	8.9	3.4	0.1	1.7



CB-016S2



OPERATING CHARACTERISTICS WITH HB-510 ZPA HYBRID CARD

3-stage			PM486FE-17						
Rotary Switch	EXT	Speed (ft/min) ± 5%		Tangential Force (lb)	Torque (lb-in)	Current (A)			
	Voltage (V)	No-Load	Rated	Starting	Starting	Starting	No-Load	Rated	
9	9.5 ± 0.2	55.4	49.9	75.0	71.7	4.0	0.5	2.2	
8	8.5 ± 0.2	50.9	49.9	75.0	71.7	4.0	0.5	2.1	
7	7.5 ± 0.2	46.3	46.3	75.0	71.7	4.0	0.4	1.9	
6	6.5 ± 0.2	41.7	41.7	75.0	71.7	4.0	0.4	1.8	
5	5.5 ± 0.2	37.1	37.1	75.0	71.7	4.0	0.4	1.7	
4	4.5 ± 0.2	32.5	32.5	75.0	71.7	4.0	0.4	1.6	
3	3.5 ± 0.2	27.6	27.6	75.0	71.7	4.0	0.3	1.5	
2	2.5 ± 0.2	23.0	23.0	75.0	71.7	4.0	0.3	1.4	
1	1.5 ± 0.2	18.4	18.4	75.0	71.7	4.0	0.2	1.3	
0	0.5 ± 0.2	13.8	13.8	75.0	71.7	4.0	0.1	1.2	
2-stage			PM486FE-60						
Rotary Switch	EXT	Speed (ft/min) ± 5%		Tangential Force (lb)	Torque (lb-in)	Current (A)			
	Voltage (V)	No-Load	Rated	Starting	Starting	Starting	No-Load	Rated	
9	9.5 ± 0.2	196.9	176.8	24.0	23.0	4.0	0.5	2.2	
8	8.5 ± 0.2	180.4	176.8	24.0	23.0	4.0	0.5	2.1	
7	7.5 ± 0.2	164.0	164.0	24.0	23.0	4.0	0.4	1.9	
6	6.5 ± 0.2	147.6	147.6	24.0	23.0	4.0	0.4	1.8	
5	5.5 ± 0.2	131.2	131.2	24.0	23.0	4.0	0.4	1.7	
4	4.5 ± 0.2	114.8	114.8	24.0	23.0	4.0	0.4	1.6	
3	3.5 ± 0.2	98.4	98.4	24.0	23.0	4.0	0.3	1.5	
2	2.5 ± 0.2	82.0	82.0	24.0	23.0	4.0	0.3	1.4	
1	1.5 ± 0.2	65.6	65.6	24.0	23.0	4.0	0.2	1.3	
0	0.5 ± 0.2	49.2	49.2	24.0	23.0	4.0	0.1	1.2	

Other speeds available.

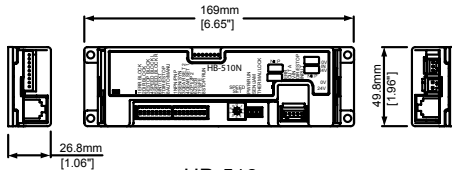
Shaded area designates speeds where stable speed function is inoperative.

OPERATING CHARACTERISTICS WITH HB-510 ZPA HYBRID CARD

1-stage		PM486FE-100						
Rotary Switch	EXT Voltage (V)	Speed (ft/min) ± 5%		Tangential Force (lb)	Torque (lb-in)	Current (A)		
		No-Load	Rated	Starting	Starting	Starting	No-Load	Rated
9	9.5 ± 0.2	407.5	239.5	9.3	8.9	4.0	0.4	2.4
8	8.5 ± 0.2	407.5	239.5	9.3	8.9	4.0	0.4	2.4
7	7.5 ± 0.2	407.5	239.5	9.3	8.9	4.0	0.4	2.4
6	6.5 ± 0.2	407.5	239.5	9.3	8.9	4.0	0.4	2.4
5	5.5 ± 0.2	407.5	239.5	9.3	8.9	4.0	0.4	2.4
4	4.5 ± 0.2	407.5	239.5	9.3	8.9	4.0	0.4	2.4
3	3.5 ± 0.2	349.4	239.5	9.3	8.9	4.0	0.3	2.3
2	2.5 ± 0.2	291.0	239.5	9.3	8.9	4.0	0.3	2.3
1	1.5 ± 0.2	232.9	232.9	9.3	8.9	4.0	0.2	2.2
0	0.5 ± 0.2	174.8	174.9	9.3	8.9	4.0	0.2	2.1

Other speeds available.

Shaded area designates speeds where stable speed function is inoperative.



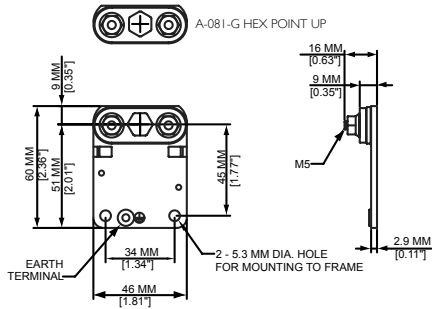
HB-510



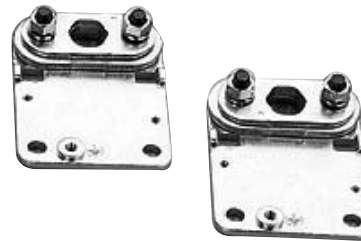
MINIMUM TUBE LENGTH

Brake Option	Shaft Type	Groove Configuration	Minimum Tube Length (mm)		
			1 Stage gear	2 Stage gear	3 Stage gear
Non-Brake	Standard Hex or JQ	No Grooves	243	267	290
		35/22	267	291	314
		50/32	292	316	339
With Brake	Standard Hex or JQ	No Grooves	308	332	355
		35/22	332	356	379
		50/32	357	381	404

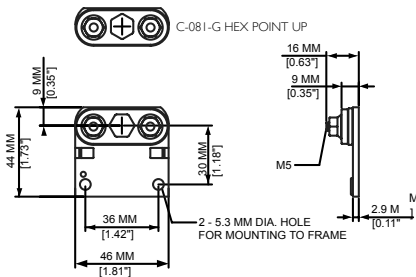
MOUNTING BRACKETS



A-071-G HEX FLAT UP



A-071-G HEX FLAT UP



C-071 HEX FLAT UP



C-071 HEX FLAT UP

ITOHDENKI USA, INC.

135 Stewart Road Hanover Industrial Estates • Hanover Township, PA 18706-1462

Bus: 570.820.8811 • Fax: 570.820.8838 • E-mail: info@itohdenki.com • www.itohdenki.com